



## Bathtub - IMO

Tub spout with diverter for deck-mounted installation - polished chrome

Article number: 13 512 670-00



- 8-7/8" Projection
- Rectangular aerator
- Integrated diverter
- Total height 6-3/4"
- Height to aerator/spout outlet 5-3/8"
- 1-1/4" hole diameter
- Flange 2-3/8" x 2-3/8"
- 1/2" connection
- Water flow rate limited to max. 7.9 gpm
- Fittings group in compliance with DIN 4109: 2
- Internal backflow preventer.
- Diverter cannot be deactivated



polished chrome

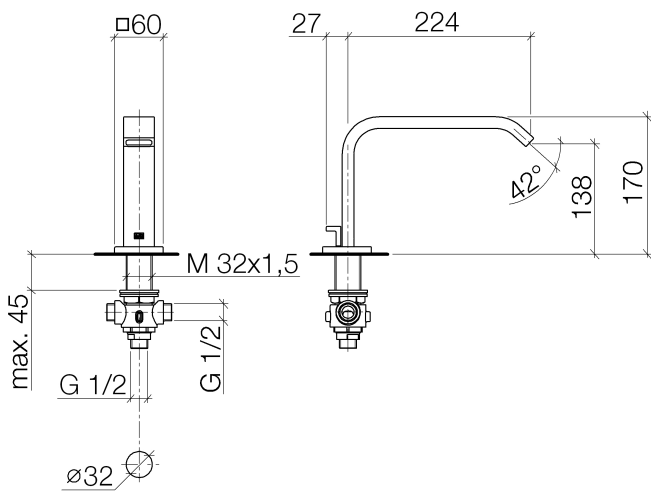
Discontinued items available to order until 30.06.2020

**Bathtub - IMO**

Tub spout with diverter for deck-mounted installation - polished chrome

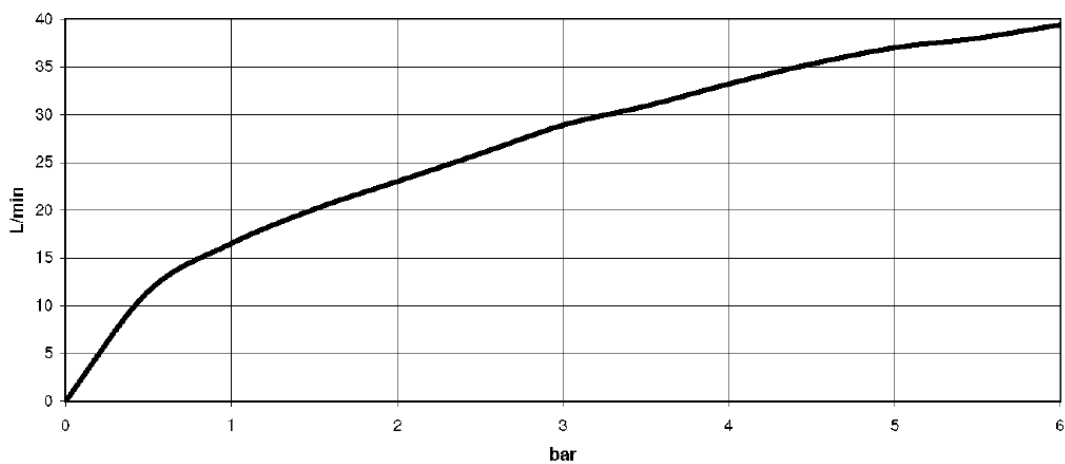
Article number: 13 512 670-00

**Dimensional drawing**



All dimensions in mm / inch = mm x 0,0394

**Flow rate chart**





## Bathtub - IMO

Tub spout with diverter for deck-mounted installation - polished chrome

Article number: 13 512 670-00

### Other surface finishes

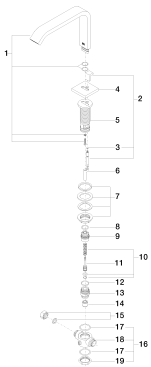


platinum matte

13 512 670-06

More custom finish options are available via special production (xTra Service). Please see our finish matrix for availability and pricing or contact a Dornbracht representative.

### Spare parts list



Number	Item Number	Designation	Number of units
--------	-------------	-------------	-----------------